

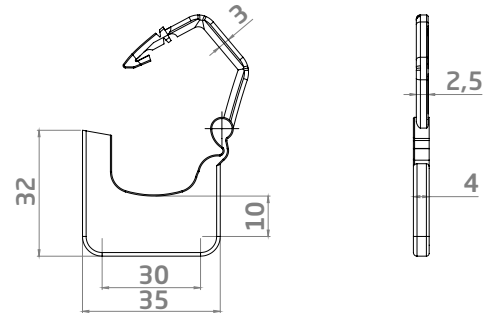
# LGM 520

## Padlock Seal



## Applications

Trolleys, Airlines, Hospitals, Emergency Kits



## Product Description

- Made of Polypropylene (PP) body
- Free movement in locking mechanism prevents glueing, and allows integrity of the seal to be checked easily
- Company logo and consecutive numbering on the flag
- Laser and digital thermo printing options
- Barcode option for easy data entry and mobile applications (Code128, Int 2/5, etc.)

- Hasp design allows single-handed application
- Various colours for logistical functions
- Customer name/logo for clear identification
- Mats of 5 or 10 seals allows sequential distribution
- Pull-apart strength: 6 Kgf
- Working temperature: -20°C / +80°C

Product Description	LGM520
Quantity	1.000 pcs
Box Dimensions	29x29x23 cm
Box Weight	2,21 kg
Pallet Info	90x120x245 cm, 120.000 pcs

## Color Options

Please contact our sales team for different colors



WHITE



BLUE



GREEN



RED



YELLOW