

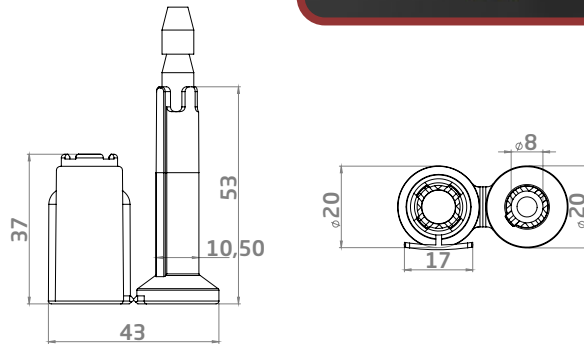
# LGM 423

## Container Seal



## Applications

Containers



## Product Description

- Made out of plastic covered steel bolt and locking body
- ISOPAS 17712 certificate is available
- Wings on the bolt prevent tampering the seal by spinning the body

- Laser marking company name and serial number
- Barcode option for mobile applications (Code128, Int2/5, etc)
- Pull-apart strength: 1000 Kgf
- Working temperature: -40°C / +120°C

Product Description	LGM423
Quantity	250 pcs
Box Dimensions	39x19x16 cm
Box Weight	14 kg
Pallet Info	80x120x95 cm, 15.000 pcs



## Color Options

Please contact our sales team for different colors



BLACK



GREEN



BLUE



RED



PASTEL YELLOW