

# LGM 414

## Pull-Up Seal with Metal Insert

## Uygulama Alanları

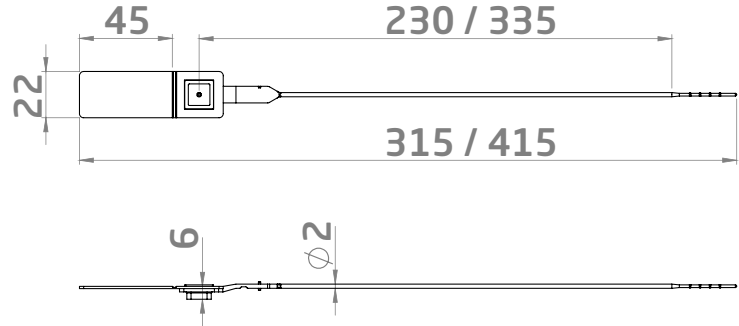
ATMs, Toteboxes, Trolleys,  
Cash and Postal Bags



LGM414-S



LGM414-L



## Product Description

- Made of Polypropylene (PP) body
- Stainless steel insert for enhanced security with ultrasonic welded assembly
- Company logo and consecutive numbering on the flag
- Laser, hot stamp and digital thermo printing options

- Barcode option for mobile applications (Code128, Int 2/5, etc.)
- Optional 2 lengths: LGM414-S: 315 mm and LGM414-L: 415 mm
- Shipped in mats of 10 pieces
- Pull-apart strength: 15 Kgf
- Working temperature: -20°C / +80°C

Product Description	LGM414-S	LGM414-L
Quantity	1.000 pcs	1.000 pcs
Box Dimensions	24x34x26 cm	24x44x26cm
Box Weight	3,46 kg	3,85 kg
Pallet Info	103x124x250 cm, 135.000 pcs	90x124x250 cm, 90.000 pcs

## Color Options

Please contact our sales team for different colors



WHITE



BLACK



PASTEL GREEN



GREEN



PASTEL BLUE



BLUE



PASTEL YELLOW



YELLOW



PASTEL RED



RED



ORANGE



RECYCLED SEAL

**LİMA**