

LGM 411

Pull-Up Seal with Metal Insert

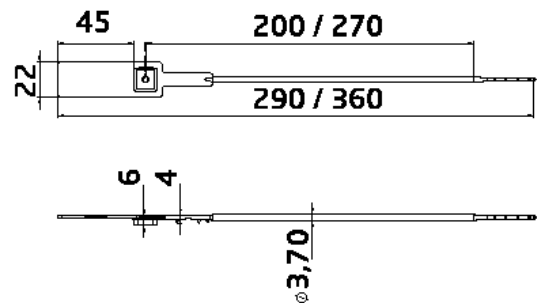
Applications

Trucks, Totaboxes, Oil Tankers

LGM 411-S



LGM 411-L



Product Description

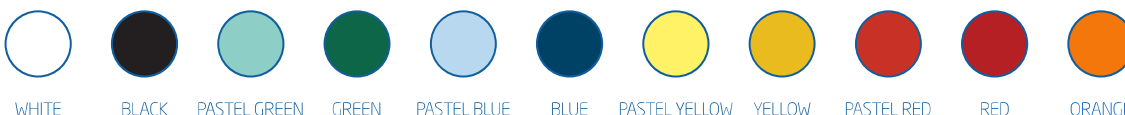
- Made of Polypropylene (PP) body
- Stainless steel insert for enhanced security with ultrasonic welded assembly
- Company logo and consecutive numbering on the flag
- Laser, hot stamp and digital thermo printing options

- Barcode option for mobile applications (Code128, Int 2/5, etc.)
- Optional 2 lengths: LGM411-S: 290 mm and LGM411-L: 360 mm
- Shipped in mats of 10 pieces
- Pull-apart strength: 30 Kgf
- Working temperature: -20°C / +80°C

Product Description	LGM411-S	LGM411-L
Quantity	1.000 pcs	1.000 pcs
Box Dimensions	24x31x28 cm	24x38x29 cm
Box Weight	4,03 kg	4,92 kg
Pallet Info	93x125x240 cm, 120.000 pcs	103x120x250 cm, 104.000 pcs

Color Options

Please contact our sales team for different colors



DETECTABLE SEAL

LiMA